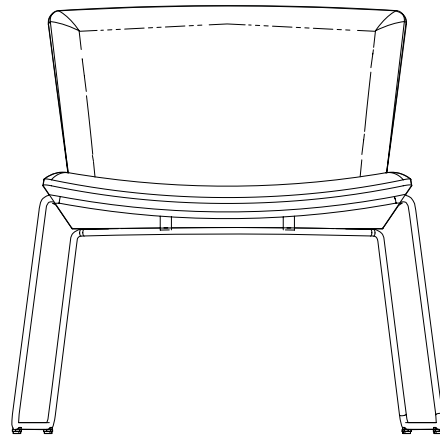
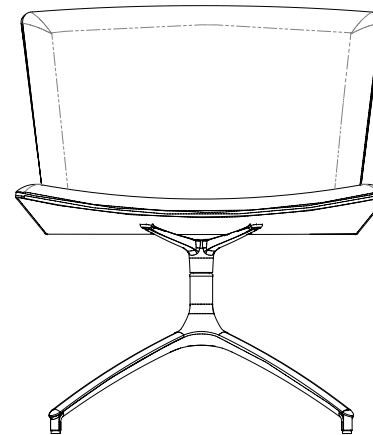


# SLAM LOUNGE

DESIGNED BY LIEVORE ALTHERR MOLINA, LICENSED BY SELLEX



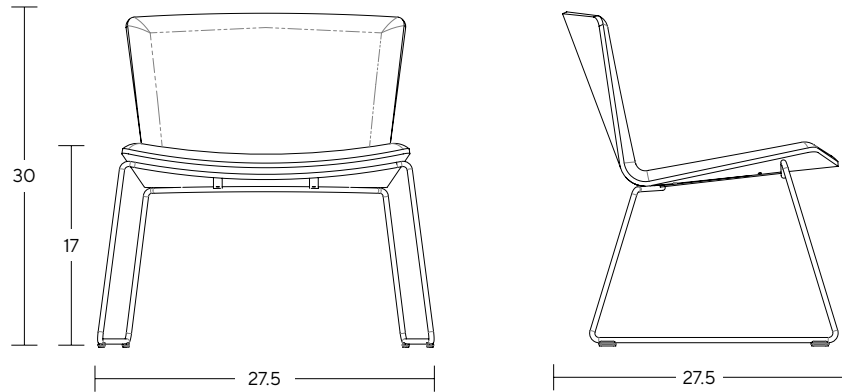
**Sled Base**



**Pyramidal Base**

# SLAM LOUNGE

MODEL / **Sled Base**



**Sled Base** / code goes here

SPECIFICATIONS /

## **UPHOLSTERY OPTIONS** [view here](#)

**(Fabric Approval Required)**

Camira  
Carnegie  
C.F. Stinson  
Green Hides  
Maharam  
Unika Vaev  
COM/COL

## **FRAME FINISHES** [view here](#)

Painted Steel  
13 Powder Coat Frame Finishes  
3 Textured Powder Coat Frame Finishes

## **GLIDE OPTIONS**

Carpet and hard surface flooring glide options

## **FEATURES**

500# tested

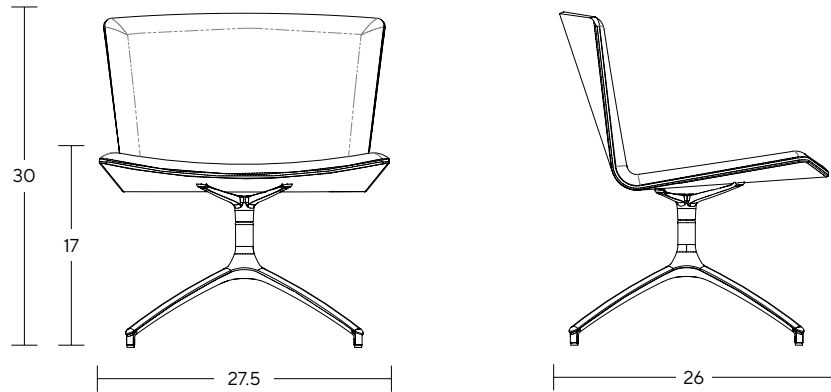
QUICK LINKS /  
**Collection Page**

Customer Experience 800-859-7510 | [lelandinternational.com](http://lelandinternational.com)



# SLAM LOUNGE

MODEL / **Pyramidal Base**



**Pyramidal Base** / code goes here

SPECIFICATIONS /

## **UPHOLSTERY OPTIONS** [view here](#)

**(Fabric Approval Required)**

Camira  
Carnegie  
C.F. Stinson  
Green Hides  
Maharam  
Unika Vaev  
COM/COL

## **FRAME FINISHES** [view here](#)

Polished Aluminum

## **GLIDE OPTIONS**

Carpet and hard surface flooring glide options

## **FEATURES**

500# tested

QUICK LINKS /  
**Collection Page**

Customer Experience 800-859-7510 | [lelandinternational.com](http://lelandinternational.com)

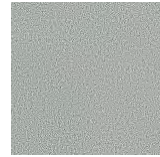


# SLAM LOUNGE

FINISHES (BASE) / Powder Coat



## SLED BASE FINISHES



**Sterling**  
(ST)



**Warm Grey**  
(WG)



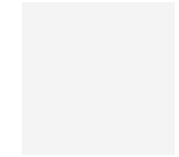
**Cool Grey**  
(CG)



**Black**  
(B)



**Matte Black**  
(MB)



**White**  
(W)



**Matte Gold Rush**  
(MGR)



**Matte Mercury**  
(MMR)



**Matte Mineral**  
(MMN)



**Matte Burnish**  
(MBN)



**Matte Foundry**  
(MFN)

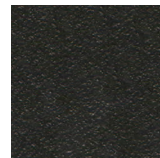


**Matte New Penny**  
(MNP)



**Java**  
(JV)

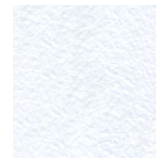
**PYRAMIDAL BASE ONLY  
OFFERED IN POLISHED  
ALUMINUM**



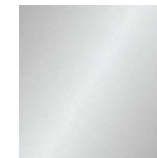
**Black Textured**  
(BT)



**Grey Textured**  
(GT)



**White Textured**  
(WT)



**Polished  
Aluminum**  
(P)

QUICK LINKS /

[View Sled Base](#)

[View Pyramidal Base](#)

Customer Experience 800-859-7510 | [lelandinternational.com](http://lelandinternational.com)

Due to limitations of the color printing process these finish samples should be considered representative only. For larger finish samples, please contact Leland Customer Experience at (800) 859-7510.

