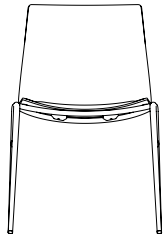


# AMADEUS

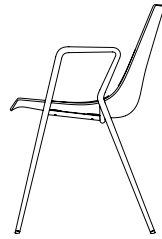
DESIGNED BY MARTIN BALLENDAT



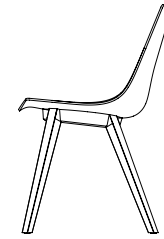
**Sled Base**  
Stacking Side Chair



**Tapered Four Leg Base**  
Stacking Side Chair



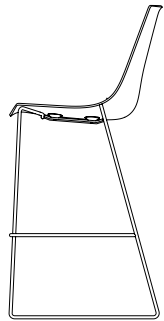
**Tapered Four Leg Base**  
Side Chair



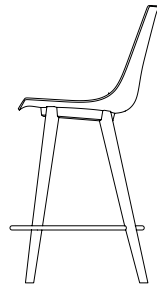
**Wood Base**  
Side Chair



**Sled Base**  
Counter Chair



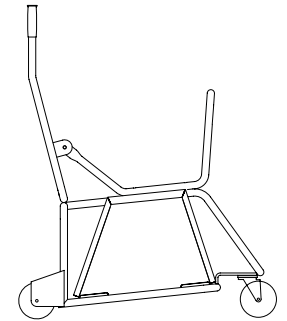
**Sled Base**  
Bar Chair



**Wood Base**  
Counter Chair



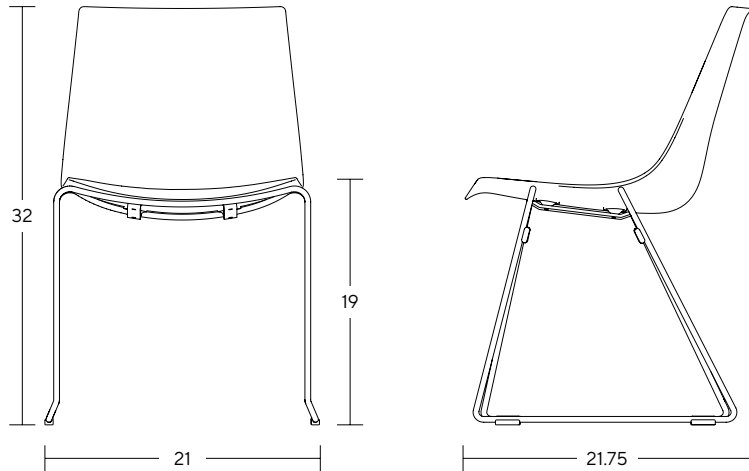
**Wood Base**  
Bar Chair



**Stacking Dolly**

# AMADEUS

MODEL / **Sled Base, Side Chair**



**Sled Base / AMS**

SPECIFICATIONS /

## SHELL OPTIONS

Polypropylene - 11 standard colors [view here](#)

Natural walnut 3D veneer [view here](#)

Beech 3D veneer - 33 standard finishes [view transparent](#) | [view semi-transparent](#)

Fully upholstered [view options here](#)

Upholstered onlay [view options here](#)

## UPHOLSTERY OPTIONS [view here](#)

**(Fabric Approval Required)**

Brentano

Camira

Carnegie

C.F. Stinson

Green Hides

Maharam

Unika Vaev

COM/COL

## FRAME OPTIONS [view here](#)

Chrome

13 Powder Coat Finishes

3 Textured Powder Coat Finishes

## GLIDE OPTIONS

Standard (nylon)

Felt

Floor Saver™

Metal

Rubber

## FEATURES

Dense, lightweight vertical stacking

Sled base chair stacks 15 high on floor & 20 high on dolly

Built for high-abuse environments and has been tested for 500lbs+

Glide options allow for use on many floor surfaces

Patented ganging method allowing chairs to gang

and release without tools or hardware

QUICK LINKS /

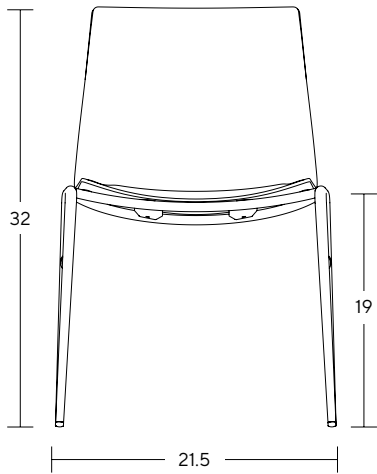
**Collection Page**

Customer Experience 800-859-7510 | [lelandinternational.com](http://lelandinternational.com)

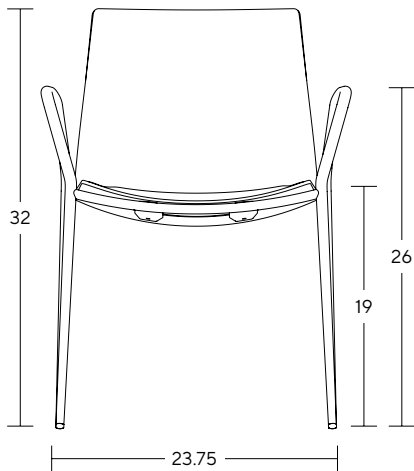
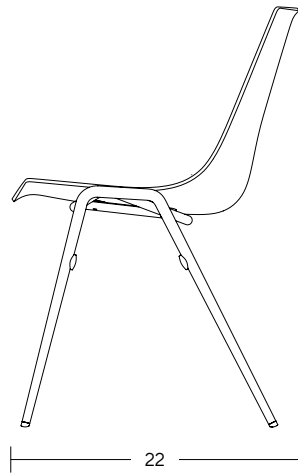


# AMADEUS

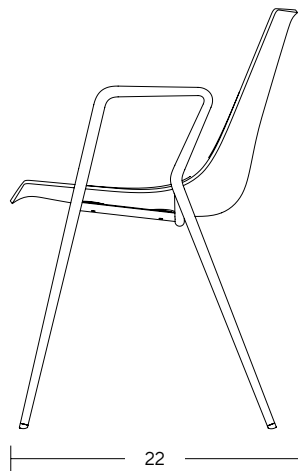
MODEL / **Tapered Four Leg Base**



**Stacking Four Leg Base Armless / AM4**



**Arm Four Leg Base / AMA**



SPECIFICATIONS /

## SHELL OPTIONS

Polypropylene - 11 standard colors [view here](#)

Natural walnut 3D veneer [view here](#)

Beech 3D veneer - 33 standard finishes [view transparent](#) | [view semi-transparent](#)

Fully upholstered [view options here](#)

Upholstered onlay [view options here](#)

## UPHOLSTERY OPTIONS [view here](#)

**(Fabric Approval Required)**

Brentano

Camira

Carnegie

C.F. Stinson

Green Hides

Maharam

Unika Vaev

COM/COL

## FRAME OPTIONS [view here](#)

Matte chrome

13 Powder Coat Finishes

3 Textured Powder Coat Finishes

## GLIDE OPTIONS

Standard (nylon)

Felt

Floor Saver™

Metal

Rubber

## FEATURES

Vertical stacking, in a medium density height

Arm chair stacks 5 high on floor

Armless chair stacks 10 high on floor & 15 high on dolly

Built for high-abuse environments and has been tested for 500lbs+

Glide options allow for use on many floor surfaces

QUICK LINKS /

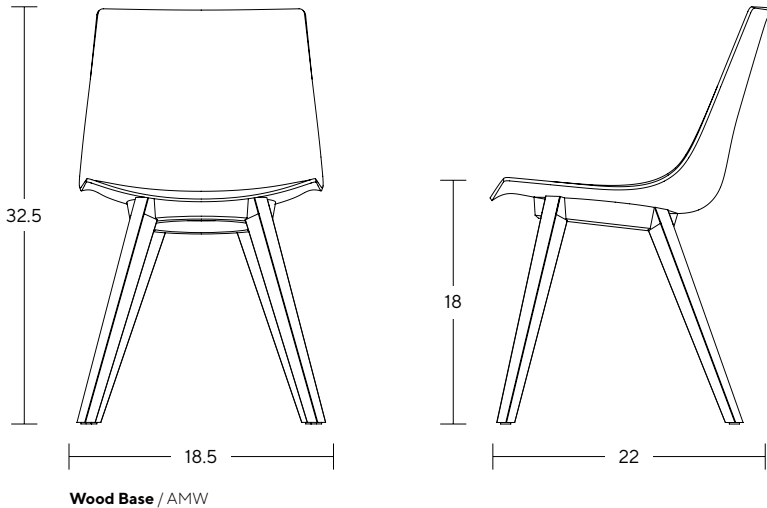
**Collection Page**

Customer Experience 800-859-7510 | [lelandinternational.com](http://lelandinternational.com)



# AMADEUS

MODEL / **Wood Base, Side Chair**



SPECIFICATIONS /

## SHELL OPTIONS

Polypropylene - 11 standard colors [view here](#)

Natural walnut 3D veneer [view here](#)

Beech 3D veneer - 33 standard finishes [view transparent](#) | [view semi-transparent](#)

Fully upholstered [view options here](#)

Upholstered onlay [view options here](#)

## UPHOLSTERY OPTIONS [view here](#)

**(Fabric Approval Required)**

Brentano

Camira

Carnegie

C.F. Stinson

Green Hides

Maharam

Unika Vaev

COM/COL

## FRAME OPTIONS

Beech 3D veneer - 33 standard finishes [view transparent](#) | [view semi-transparent](#)

## GLIDE OPTIONS

Standard (nylon)

Felt

Floor Saver™

Metal

Rubber

## FEATURES

Built for high-abuse environments and has been tested for 500lbs+

Glide options allow for use on many floor surfaces

QUICK LINKS /

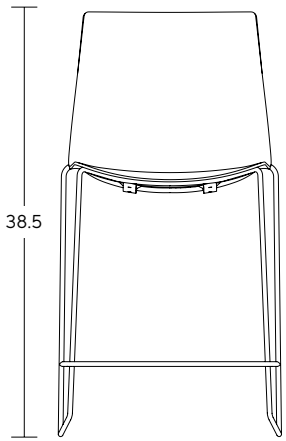
**Collection Page**

Customer Experience 800-859-7510 | [lelandinternational.com](http://lelandinternational.com)

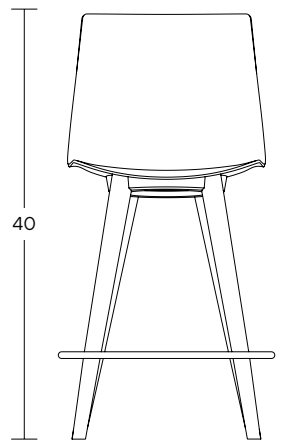
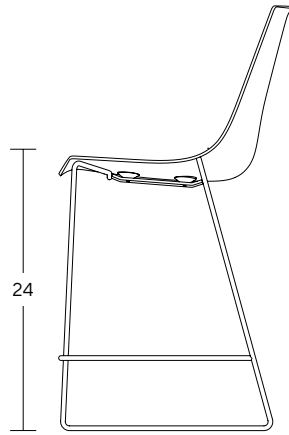


# AMADEUS

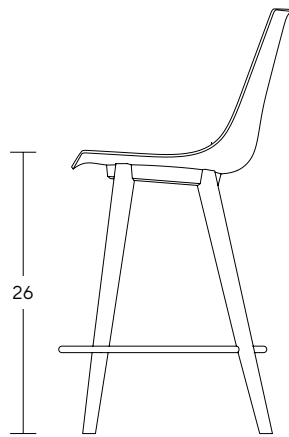
MODEL / Counter Chair



Sled Base Counter Chair / AMCS



Wood Base Counter Chair / AMCW



SPECIFICATIONS /

## SHELL OPTIONS

Polypropylene - 11 standard colors [view here](#)

Natural walnut 3D veneer [view here](#)

Beech 3D veneer - 33 standard finishes [view transparent](#) | [view semi-transparent](#)

Fully upholstered [view options here](#)

Upholstered onlay [view options here](#)

## UPHOLSTERED SEAT ONLY OPTIONS [view here](#)

(Fabric Approval Required)

Brentano

Camira

Carnegie

C.F. Stinson

Green Hides

Maharam

Unika Vaev

COM/COL

## SLED BASE FRAME OPTIONS [view here](#)

Chrome

13 Powder Coat Finishes

3 Textured Powder Coat Finishes

## WOOD BASE FRAME OPTIONS

Beech 3D veneer - 33 standard finishes [view transparent](#) | [view semi-transparent](#)

## GLIDE OPTIONS

Standard (nylon)

Felt

Floor Saver™

Metal

Rubber

## FEATURES

Dense, lightweight vertical stacking (Sled Base)

Sled base chair stacks 15 high on floor & 20 high on dolly

Built for high-abuse environments and has been tested for 500lbs+

Glide options allow for use on many floor surfaces

QUICK LINKS /

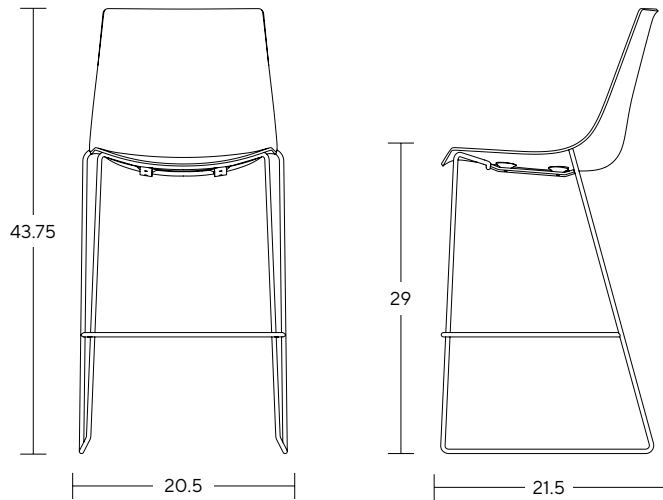
[Collection Page](#)

Customer Experience 800-859-7510 | [lelandinternational.com](#)

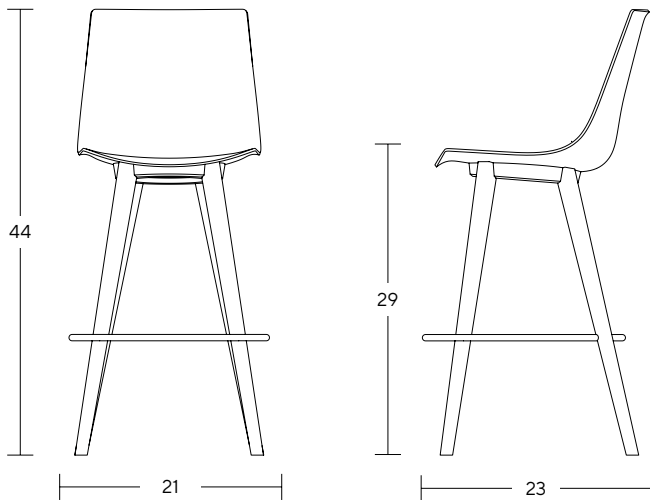


# AMADEUS

MODEL / **Bar Chair, Sled Base**



**Sled Base Bar Chair / AMBS**



**Wood Base Bar Chair / AMBW**

QUICK LINKS /

**Collection Page**

Customer Experience 800-859-7510 | [lelandinternational.com](http://lelandinternational.com)

SPECIFICATIONS /

## SHELL OPTIONS

Polypropylene - 11 standard colors [view here](#)

Natural walnut 3D veneer [view here](#)

Beech 3D veneer - 33 standard finishes [view transparent](#) | [view semi-transparent](#)

Fully upholstered [view options here](#)

Upholstered onlay [view options here](#)

## UPHOLSTERED SEAT ONLY OPTIONS [view here](#)

**(Fabric Approval Required)**

Brentano

Camira

Carnegie

C.F. Stinson

Green Hides

Maharam

Unika Vaev

COM/COL

## SLED BASE FRAME OPTIONS [view here](#)

Chrome

13 Powder Coat Finishes

3 Textured Powder Coat Finishes

## WOOD BASE FRAME OPTIONS

Beech 3D veneer - 33 standard finishes [view transparent](#) | [view semi-transparent](#)

## GLIDE OPTIONS

Standard (nylon)

Felt

Floor Saver™

Metal

Rubber

## FEATURES

Dense, lightweight vertical stacking (Sled Base)

Sled base chair stacks 15 high on floor & 20 high on dolly

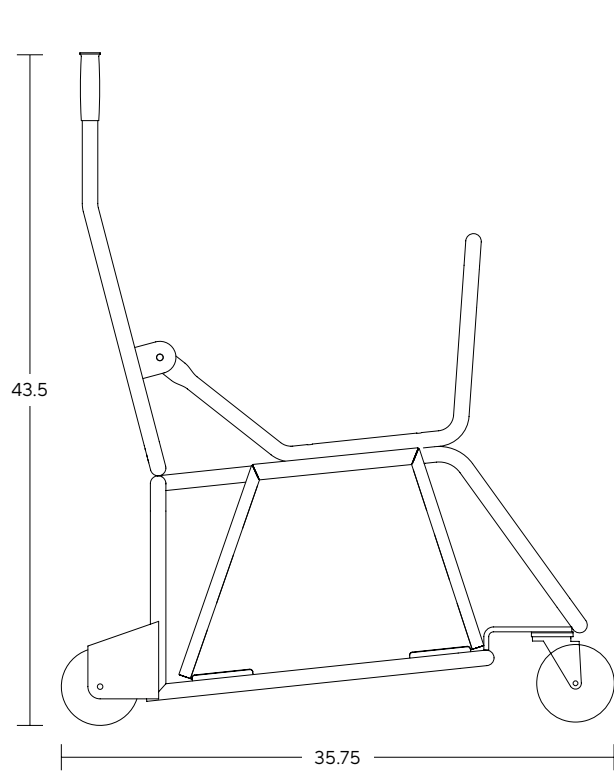
Built for high-abuse environments and has been tested for 500lbs+

Glide options allow for use on many floor surfaces

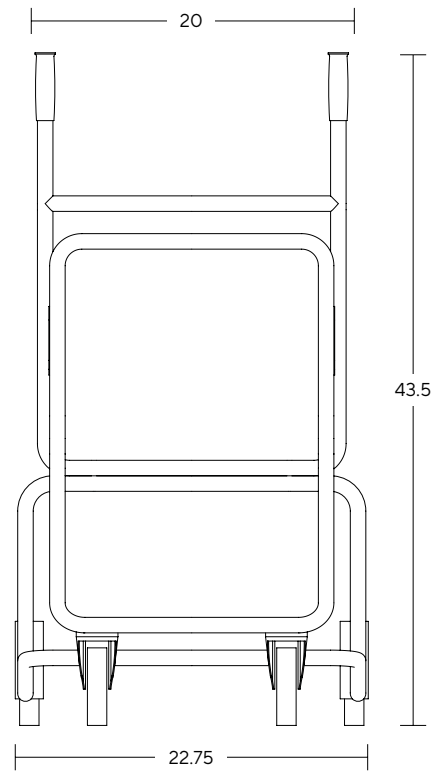


# AMADEUS

MODEL / **Stacking Dolly**



**Stacking Dolly** / AMD



QUICK LINKS /  
**Collection Page**

Customer Experience 800-859-7510 | [lelandinternational.com](http://lelandinternational.com)



# AMADEUS

FINISHES / Polypropylene



**Soda Red**  
(SR)



**Black**  
(BK)



**White**  
(WT)



**Dolphin**  
(DL)



**Oxford**  
(OX)



**Tangerine**  
(TN)



**Ice Blue**  
(IB)



**Arctic**  
(AR)



**Caribbean**  
(CB)



**Limelight**  
(LL)



**Ink**  
(IN)

QUICK LINKS /

[View Sled Base Side Chair](#)

[View Tapered Four Leg Base Chair \(Arm & Armless\)](#)

[View Tapered Four Leg Base Non-Stacking Chair](#)

[View Wood Base Side Chair](#)

[View Counter Chair \(Four Leg & Wood Base\)](#)

[View Bar Chair \(Four Leg & Wood Base\)](#)

Customer Experience 800-859-7510 | [lelandinternational.com](http://lelandinternational.com)

Due to limitations of the color printing process these finish samples should be considered representative only. For larger finish samples, please contact Leland Customer Experience at (800) 859-7510.



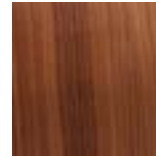


# AMADEUS

FINISHES / **Transparent Wood Options; Semi-Gloss Sheen**



**Natural Beech**  
(09)



**Natural Walnut Matte**  
(08M)



**Neutral**  
(15)



**Medium**  
(13)



**Medium Cherry**  
(17)



**Classic Mahogany**  
(21)



**Copper**  
(22)



**White Wash II**  
(30)



**Espresso**  
(23)



**Transparent Black**  
(29)



**Marigold**  
(51)



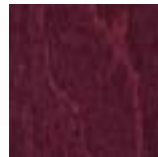
**Pomegranate**  
(53)



**Cobalt**  
(55)



**Moss**  
(57)



**Cranberry**  
(61)



**Peacock**  
(62)



**Strawberry**  
(63)



**Sunflower**  
(64)



**Lime**  
(65)



**Graphite**  
(25)

QUICK LINKS /

[View Sled Base Side Chair](#)

[View Tapered Four Leg Base Chair \(Arm & Armless\)](#)

[View Tapered Four Leg Base Non-Stacking Chair](#)

[View Wood Base Side Chair](#)

[View Counter Chair \(Four Leg & Wood Base\)](#)

[View Bar Chair \(Four Leg & Wood Base\)](#)

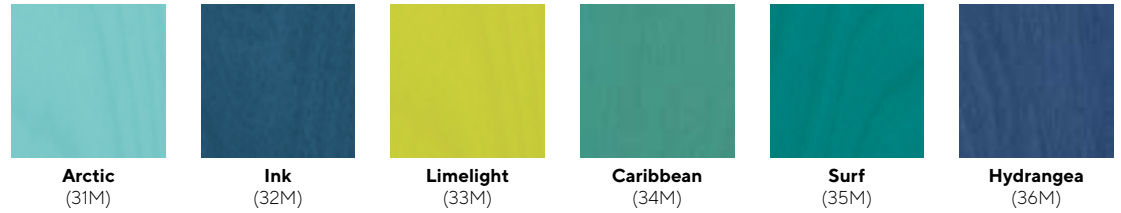
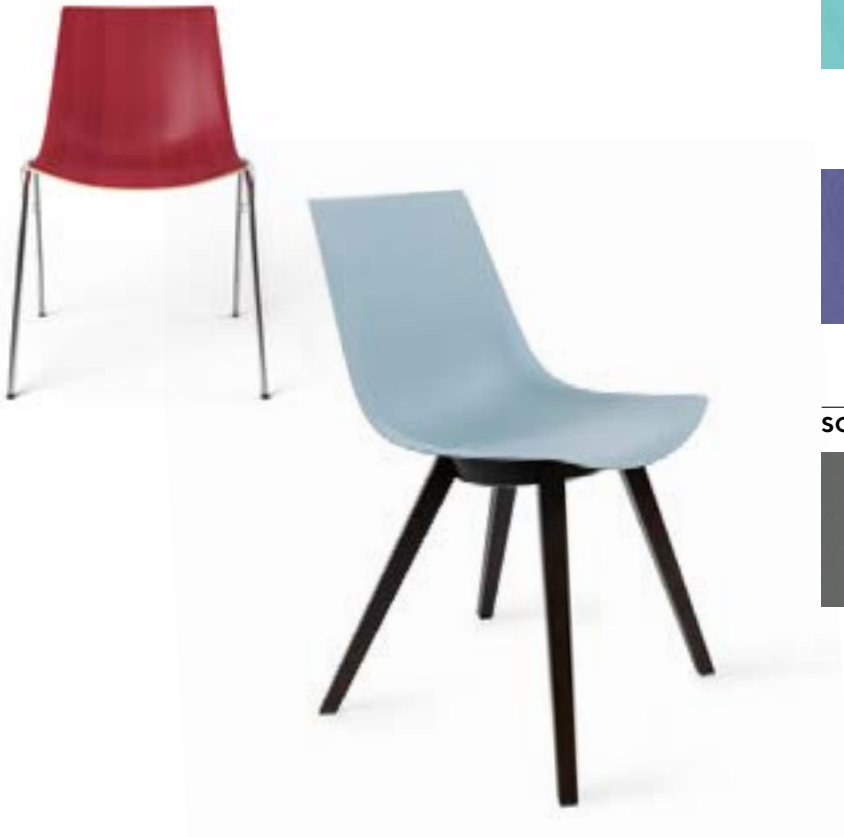
Customer Experience 800-859-7510 | [lelandinternational.com](http://lelandinternational.com)

Due to limitations of the color printing process these finish samples should be considered representative only. For larger finish samples, please contact Leland Customer Experience at (800) 859-7510.

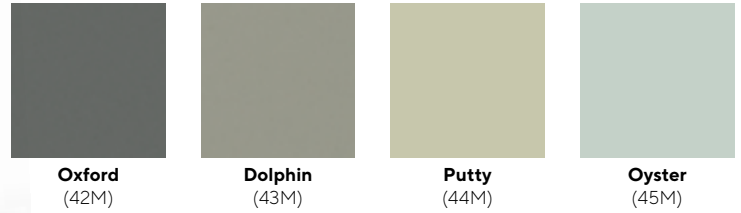


# AMADEUS

FINISHES / **Semi-Transparent Wood Options; Matte Sheen**



## SOLIDS



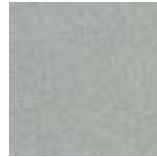
### QUICK LINKS /

- [View Sled Base Side Chair](#)
- [View Tapered Four Leg Base Chair \(Arm & Armless\)](#)
- [View Tapered Four Leg Base Non-Stacking Chair](#)
- [View Wood Base Side Chair](#)
- [View Counter Chair \(Four Leg & Wood Base\)](#)
- [View Bar Chair \(Four Leg & Wood Base\)](#)



# AMADEUS

FINISHES (FRAME) / Powder Coat



**Sterling**  
(ST)



**Warm Grey**  
(WG)



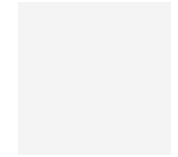
**Cool Grey**  
(CG)



**Black**  
(B)



**Matte Black**  
(MB)



**White**  
(W)



**Matte Gold Rush**  
(MGR)



**Matte Mercury**  
(MMR)



**Matte Mineral**  
(MMN)



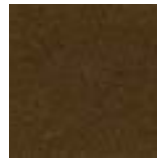
**Matte Burnish**  
(MBN)



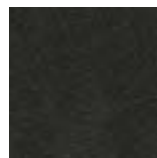
**Matte Foundry**  
(MFN)



**Matte New Penny**  
(MNP)



**Java**  
(JV)



**Black Textured**  
(BT)



**Grey Textured**  
(GT)



**White Textured**  
(WT)



**Chrome**  
(C)

QUICK LINKS /

[View Sled Base Side Chair](#)

[View Tapered Four Leg Base Chair \(Arm & Armless\)](#)

[View Tapered Four Leg Base Non-Stacking Chair](#)

[View Wood Base Side Chair](#)

[View Counter Chair \(Four Leg & Wood Base\)](#)

[View Bar Chair \(Four Leg & Wood Base\)](#)

Customer Experience 800-859-7510 | [lelandinternational.com](http://lelandinternational.com)

Due to limitations of the color printing process these finish samples should be considered representative only. For larger finish samples, please contact Leland Customer Experience at (800) 859-7510.

