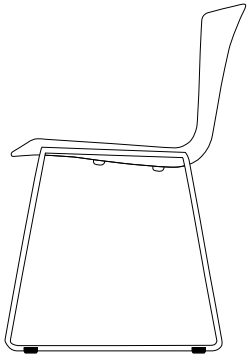
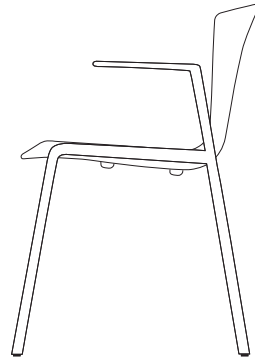


SLAM

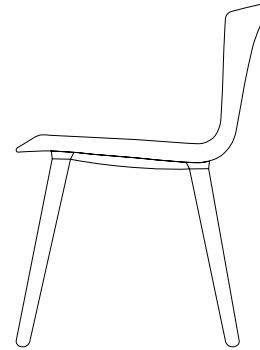
DESIGNED BY LIEVORE ALTHERR MOLINA, LICENSED BY SELLEX



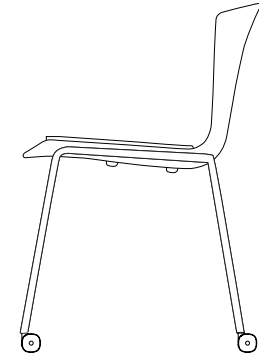
Side Chair



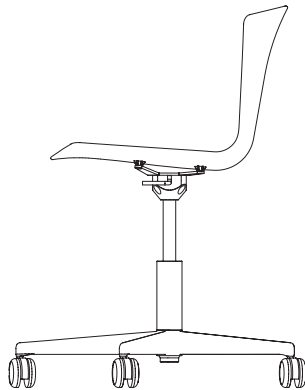
Side & Arm Chair



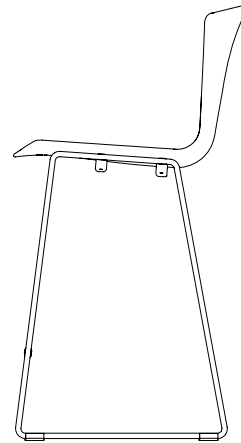
Wood Leg



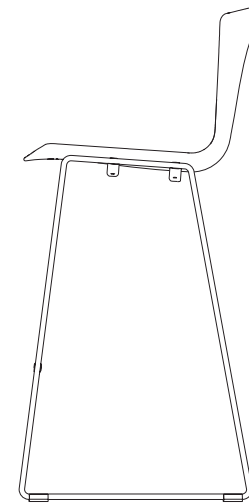
Mobile



Task



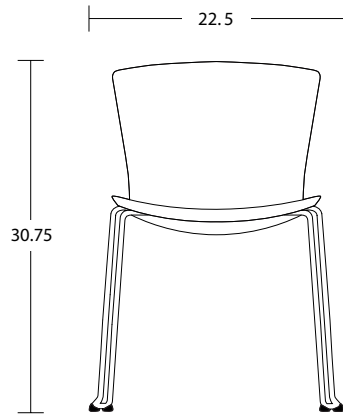
Counter



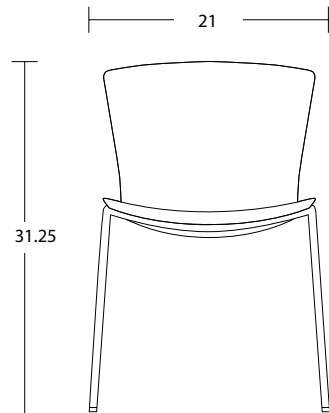
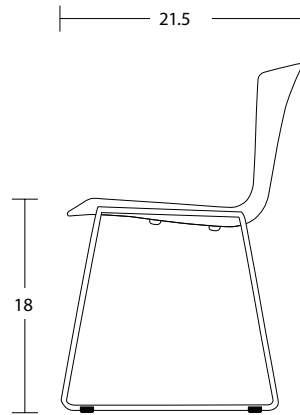
Bar

SLAM

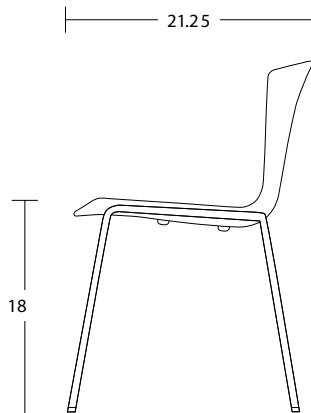
MODEL / Side Chair



Sled Base Side / SLS



Four Leg Side / SL4



SPECIFICATIONS /

SHELL OPTIONS

13 Polypropylene Shell Finishes [view here](#)

3D White Oak [view here](#)

3D Beech in Leland Wood Finishes [view transparent](#) | [view semi-transparent](#)

Upholstered Onlay or Fully Upholstered

UPHOLSTERY OPTIONS [view here](#)

(Fabric Approval Required)

Camira

Carnegie

C.F. Stinson

Green Hides

Maharam

Unika Vaev

COM/COL

FRAME FINISHES [view standard](#) | [view textured](#)

12 Powder Coat Frame Finishes

12 Textured Powder Coat Frame Finishes

Sterling Powder Coat

Chrome (Sled base model)

GLIDE OPTIONS

Sled Base - Standard (poly) or Optional Felt

4-Leg Steel Base - Standard (nylon), Optional: Felt, Floor Saver™, Metal, or Rubber

FEATURES

500# tested

Four Leg Base stacks 8 high on floor; 10 high on dolly

Flex polypropylene back for additional comfort

3D Veneer option for highly refined aesthetic

QUICK LINKS /

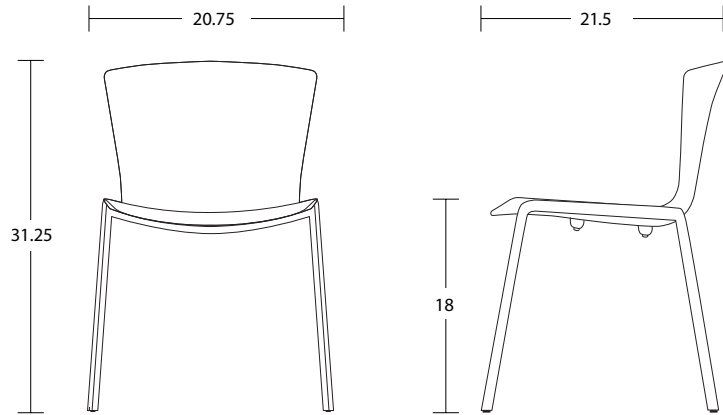
[Collection Page](#)

Customer Experience 800-859-7510 | [lelandinternational.com](#)

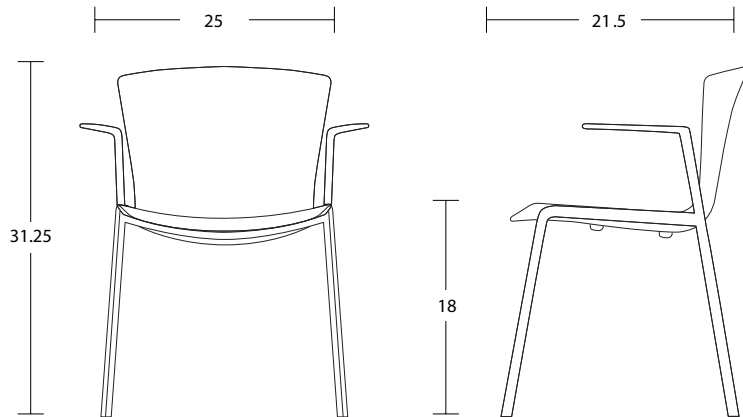


SLAM

MODEL / Side & Arm Chair



Aluminum Base Side / SLA



Aluminum Base, Arm / SLAA

SPECIFICATIONS /

SHELL OPTIONS

13 Polypropylene Shell Finishes [view here](#)

3D White Oak [view here](#)

3D Beech in Leland Wood Finishes [view transparent](#) | [view semi-transparent](#)

Upholstered Onlay or Fully Upholstered

UPHOLSTERY OPTIONS [view here](#)

(Fabric Approval Required)

Camira

Carnegie

C.F. Stinson

Green Hides

Maharam

Unika Vaev

COM/COL

FRAME FINISHES [view standard](#) | [view textured](#)

12 Powder Coat Frame Finishes

12 Textured Powder Coat Frame Finishes

Sterling Powder Coat

GLIDE OPTIONS

Nylon (standard)

Felt or Rubber (optional)

FEATURES

500# tested

Flex polypropylene back for additional comfort

3D Veneer option for highly refined aesthetic

QUICK LINKS /

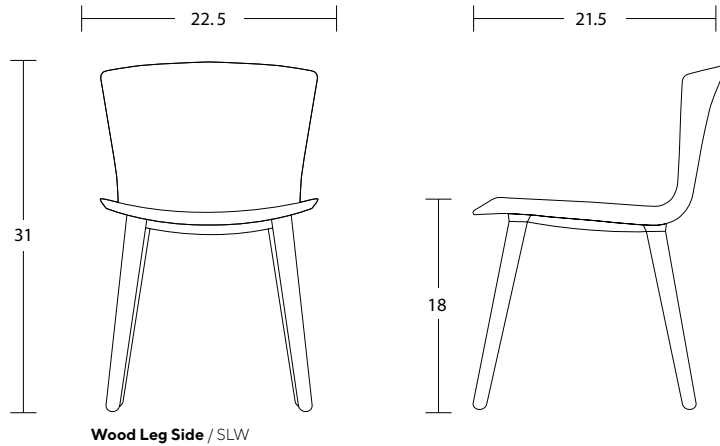
[Collection Page](#)

Customer Experience 800-859-7510 | [lelandinternational.com](#)



SLAM

MODEL / **Wood Leg**



SPECIFICATIONS /

SHELL OPTIONS

13 Polypropylene Shell Finishes [view here](#)

3D White Oak [view here](#)

3D Beech in Leland Wood Finishes [view transparent](#) | [view semi-transparent](#)

Upholstered Onlay or Fully Upholstered

UPHOLSTERY OPTIONS [view here](#)

(Fabric Approval Required)

Camira

Carnegie

C.F. Stinson

Green Hides

Maharam

Unika Vaev

COM/COL

LEG OPTIONS

Leland Wood Finishes [view transparent](#) | [view semi-transparent](#)

GLIDE OPTIONS

Rubber (standard)

Felt (optional)

FEATURES

500# tested

Flex polypropylene back for additional comfort

3D Veneer option for highly refined aesthetic

Monolithic appearance when specifying beech shell and wood leg in same finish

QUICK LINKS /

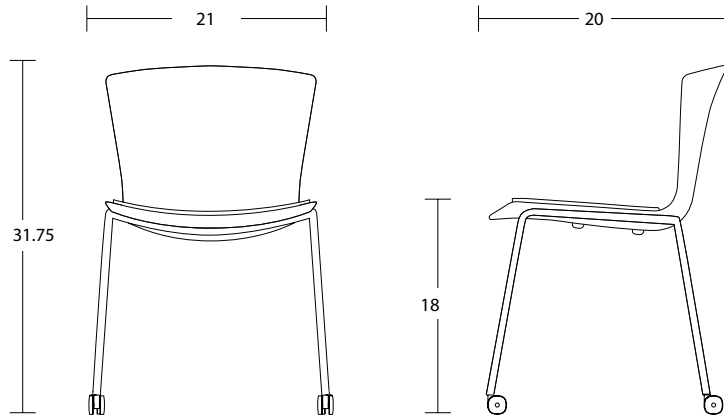
Collection Page

Customer Experience 800-859-7510 | lelandinternational.com



SLAM

MODEL / **Mobile Chair**



Four Leg Mobile / SLM

SPECIFICATIONS /

SHELL OPTIONS

13 Polypropylene Shell Finishes [view here](#)

3D White Oak [view here](#)

3D Beech in Leland Wood Finishes [view transparent](#) | [view semi-transparent](#)

Upholstered Onlay or Fully Upholstered

UPHOLSTERY OPTIONS [view here](#)

(Fabric Approval Required)

Camira

Carnegie

C.F. Stinson

Green Hides

Maharam

Unika Vaev

COM/COL

FRAME FINISHES [view standard](#) | [view textured](#)

12 Powder Coat Frame Finishes

12 Textured Powder Coat Frame Finishes

Sterling Powder Coat

CASTER OPTIONS

Hard or Soft Floor Casters

FEATURES

500# tested

Four Leg Base stacks 4 high on floor; 8 high on dolly

Flex polypropylene back for additional comfort

3D Veneer option for highly refined aesthetic

QUICK LINKS /

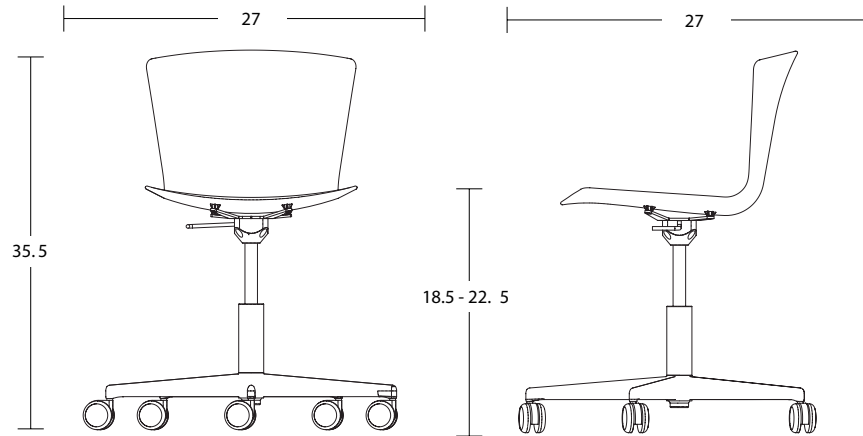
Collection Page

Customer Experience 800-859-7510 | lelandinternational.com



SLAM

MODEL / **Task Chair**



Task Base / SLTB

SPECIFICATIONS /

SHELL OPTIONS

13 Polypropylene Shell Finishes [view here](#)

3D White Oak [view here](#)

3D Beech in Leland Wood Finishes [view transparent](#) | [view semi-transparent](#)

Upholstered Onlay or Fully Upholstered

UPHOLSTERY OPTIONS [view here](#)

(Fabric Approval Required)

Camira

Carnegie

C.F. Stinson

Green Hides

Maharam

Unika Vaev

COM/COL

FRAME FINISHES [view standard](#) | [view textured](#)

12 Powder Coat Frame Finishes

12 Textured Powder Coat Frame Finishes

Sterling Powder Coat

CASTER OPTIONS

Hard or Soft Floor Casters

FEATURES

500# tested

Adjustable seat height 18.5" - 22.5"

Flex polypropylene back for additional comfort

3D Veneer option for highly refined aesthetic

[QUICK LINKS /](#)

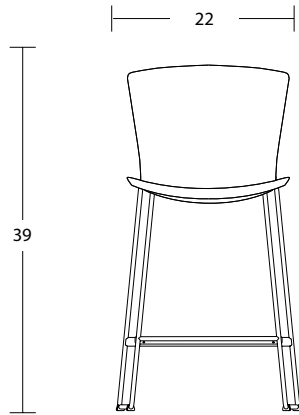
Collection Page

Customer Experience 800-859-7510 | [lelandinternational.com](#)

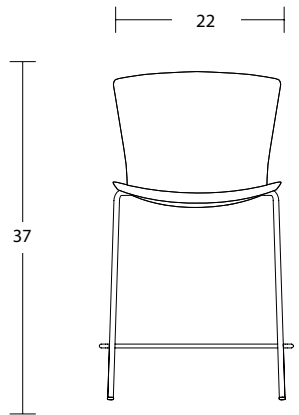
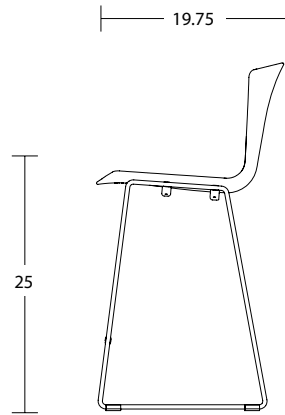


SLAM

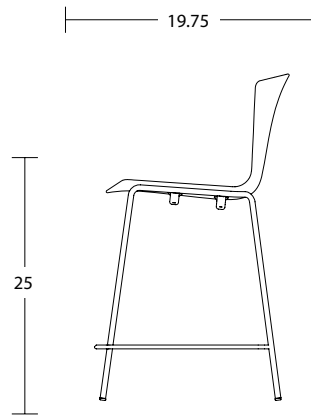
MODEL / Counter Chair



Sled Base Counter Chair / SLCS



Four Leg Counter Chair / SLC4



SPECIFICATIONS /

SHELL OPTIONS

13 Polypropylene Shell Finishes [view here](#)

3D White Oak [view here](#)

3D Beech in Leland Wood Finishes [view transparent](#) | [view semi-transparent](#)

Upholstered Onlay or Fully Upholstered

UPHOLSTERY OPTIONS [view here](#)

(Fabric Approval Required)

Camira

Carnegie

C.F. Stinson

Green Hides

Maharam

Unika Vaev

COM/COL

FRAME FINISHES [view standard](#) | [view textured](#)

12 Powder Coat Frame Finishes

12 Textured Powder Coat Frame Finishes

Sterling Powder Coat

Chrome (Sled base model)

GLIDE OPTIONS

Sled Base - Standard (poly) or Optional Felt

4-Leg Steel Base - Standard (nylon), Optional: Felt, Floor Saver™, Metal, or Rubber

FEATURES

500# tested

Flex polypropylene back for additional comfort

3D Veneer option for highly refined aesthetic

[QUICK LINKS /](#)

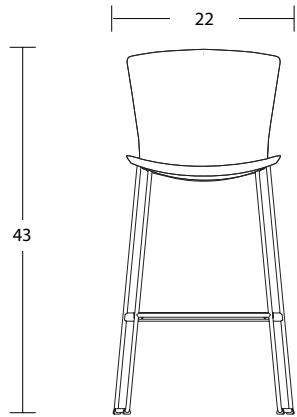
[Collection Page](#)

Customer Experience 800-859-7510 | [lelandinternational.com](#)

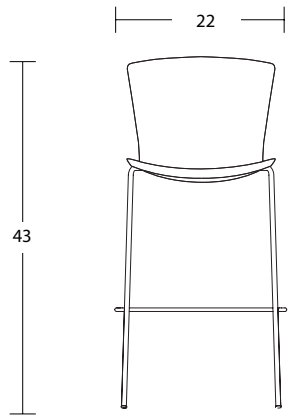
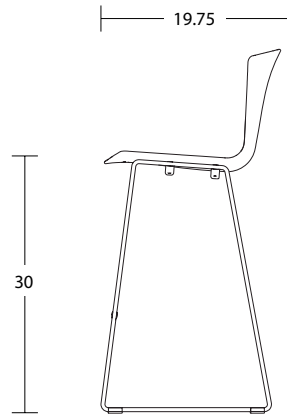


SLAM

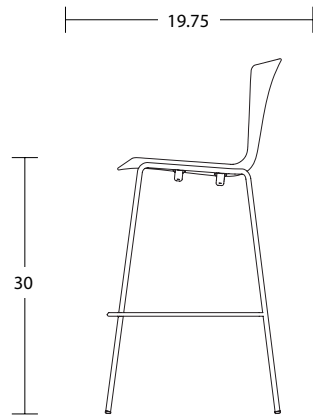
MODEL / **Bar Chair**



Sled Base Bar Chair / SLBS



Four Leg Bar Chair / SLB4



SPECIFICATIONS /

SHELL OPTIONS

13 Polypropylene Shell Finishes [view here](#)

3D White Oak [view here](#)

3D Beech in Leland Wood Finishes [view transparent](#) | [view semi-transparent](#)

Upholstered Onlay or Fully Upholstered

UPHOLSTERY OPTIONS [view here](#)

(Fabric Approval Required)

Camira

Carnegie

C.F. Stinson

Green Hides

Maharam

Unika Vaev

COM/COL

FRAME FINISHES [view standard](#) | [view textured](#)

12 Powder Coat Frame Finishes

12 Textured Powder Coat Frame Finishes

Chrome (Sled base model)

GLIDE OPTIONS

Sled Base - Standard (poly) or Optional Felt

4-Leg Steel Base - Standard (nylon), Optional: Felt, Floor Saver™, Metal, or Rubber

FEATURES

500# tested

Flex polypropylene back for additional comfort

3D Veneer option for highly refined aesthetic

QUICK LINKS /

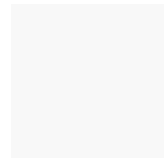
Collection Page

Customer Experience 800-859-7510 | lelandinternational.com



SLAM

FINISHES / Polypropylene



White
(W)



Grey
(G)



Black
(B)



Red
(R)



Soda Red
(SR)



Dolphin
(DL)



Oxford
(OX)



Tangerine
(TN)



Ice Blue
(IB)



Arctic
(AR)



Caribbean
(CB)



Limelight
(LL)



Ink
(IN)

QUICK LINKS /

[View Side Chair, Sled and 4 Leg Base Chair](#)

[View Side & Arm Chair, Aluminum Base Chair](#)

[View Wood Leg Chair](#)

[View Mobile Chair](#)

[View Task Chair](#)

[View Counter Chair](#)

[View Bar Chair](#)

Customer Experience 800-859-7510 | lelandinternational.com

Due to limitations of the color printing process these finish samples should be considered representative only. For larger finish samples, please contact Leland Customer Experience at (800) 859-7510.



SLAM

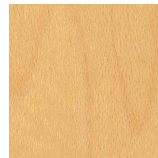
FINISHES / **Transparent Wood Options; Semi-Gloss Sheen**



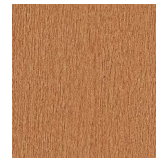
**Natural White
Oak (Shell Only)**
(12)



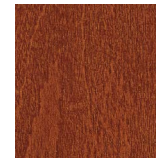
Natural Beech
(09)



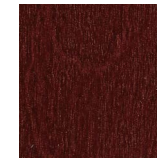
Neutral
(15)



Medium
(13)



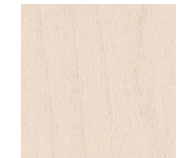
Medium Cherry
(17)



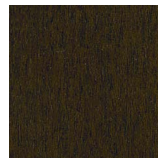
**Classic
Mahogany**
(21)



Copper
(22)



White Wash II
(30)



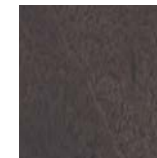
Espresso
(23)



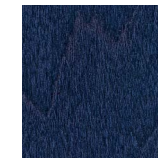
**Transparent
Black**
(29)



Sunflower
(64)



Graphite
(25)



Cobalt
(55)

QUICK LINKS /

- [View Side Chair, Sled and 4 Leg Base Chair](#)
- [View Side & Arm Chair, Aluminum Base Chair](#)
- [View Wood Leg Chair](#)
- [View Mobile Chair](#)
- [View Task Chair](#)
- [View Counter Chair](#)
- [View Bar Chair](#)

Customer Experience 800-859-7510 | lelandinternational.com

Due to limitations of the color printing process these finish samples should be considered representative only. For larger finish samples, please contact Leland Customer Experience at (800) 859-7510.



SLAM

FINISHES (WOOD LEG & SHELL) / **Semi-Transparent Wood Options; Matte Sheen**



Arctic
(31M)



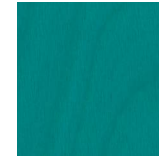
Ink
(32M)



Limelight
(33M)



Caribbean II
(48M)



Surf
(35M)



Hydrangea
(36M)



Amethyst
(37M)



Passion
(38M)



Soda Red
(46M)



Tangerine
(40M)



Creamsicle
(41M)



Ice Blue
(47M)

SOLIDS



Oxford II
(49M)



Dolphin II
(50M)



Putty
(44M)



Oyster
(45M)

QUICK LINKS /

- [View Side Chair, Sled and 4 Leg Base Chair](#)
- [View Side & Arm Chair, Aluminum Base Chair](#)
- [View Wood Leg Chair](#)
- [View Mobile Chair](#)
- [View Task Chair](#)
- [View Counter Chair](#)
- [View Bar Chair](#)

Customer Experience 800-859-7510 | lelandinternational.com

Due to limitations of the color printing process these finish samples should be considered representative only. For larger finish samples, please contact Leland Customer Experience at (800) 859-7510.



SLAM

FINISHES (BASE) / Powder Coat



Sterling
(ST)



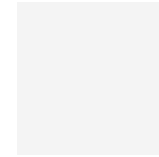
Warm Grey
(WG)



Cool Grey
(CG)



Black
(B)



White
(W)



Java
(JV)



Matte Gold Rush
(MGR)



Matte Mercury
(MMR)



Matte Mineral
(MMN)



Matte Burnish
(MBN)



Matte Foundry
(MFN)



Matte New Penny
(MNP)



Chrome
(C)

*excludes Task chair and aluminum base models



Polished Aluminum
(P)

*only available for Aluminum Base and Task Base models

QUICK LINKS /

[View Side Chair, Sled and 4 Leg Base Chair](#)

[View Side & Arm Chair, Aluminum Base Chair](#)

[View Wood Leg Chair](#)

[View Mobile Chair](#)

[View Task Chair](#)

[View Counter Chair](#)

[View Bar Chair](#)

Customer Experience 800-859-7510 | lelandinternational.com

Due to limitations of the color printing process these finish samples should be considered representative only. For larger finish samples, please contact Leland Customer Experience at (800) 859-7510.



SLAM

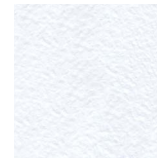
FINISHES (BASE) / **Textured Powder Coat**



Black Textured
(BT)



Grey Textured
(GT)



White Textured
(WT)



Soda Red Textured
(SRT)



Dolphin Textured
(DLT)



Oxford Textured
(OXT)



Tangerine Textured
(TNT)



Ice Blue Textured
(IBT)



Arctic Textured
(ART)



Caribbean Textured
(CBT)



Limelight Textured
(LLT)



Ink Textured
(INT)

QUICK LINKS /

[View Side Chair, Sled and 4 Leg Base Chair](#)

[View Side & Arm Chair, Aluminum Base Chair](#)

[View Wood Leg Chair](#)

[View Mobile Chair](#)

[View Task Chair](#)

[View Counter Chair](#)

[View Bar Chair](#)

Customer Experience 800-859-7510 | lelandinternational.com

Due to limitations of the color printing process these finish samples should be considered representative only. For larger finish samples, please contact Leland Customer Experience at (800) 859-7510.

