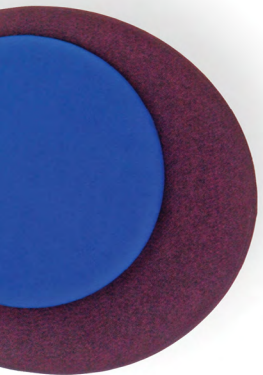
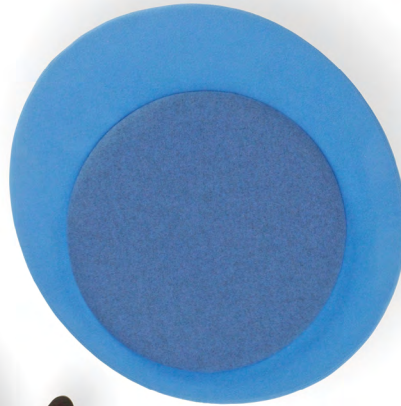


**PLUTO**

2019 Price List

Pricing Effective February 2019



**2019 PLUTO BENCH PRICE LIST**

PLUTO BENCH: TABLE OF CONTENTS ..... PB2  
PLUTO BENCH SPECIFICATION INFORMATION ..... PB3  
PLUTO BENCH SPECIFICATION EXAMPLE ..... PB4  
PLUTO BENCH ..... PB5  
PLUTO AUXILIARY OPTION ..... PB6

**BENCH MODEL**

DESCRIPTION	CODE
Pluto	PT

**UPHOLSTERY SELECTION**

Refer to Leland Textile Program featuring textiles from the following partners:

- Camira
- Carnegie
- CF Stinson
- Green Hides
- Maharam
- Unika Vaev

The complete grade list can be found at [www.lelandinternational.com/ecatalog](http://www.lelandinternational.com/ecatalog) or you can specify COM. Due to the design of this product, it is recommended that all non pre-approved textile be tested for compatibility.

**UPHOLSTERY REQUIREMENTS**

With a choice of textile combinations, Pluto encourages design creativity. Please note that requirements vary by combination. The graded price of the combined yardage will be calculated using the highest grade textile selected.

TEXTILE REQUIREMENTS	YARDAGE
One textile, entire bench:	3.25 yards
Two/Three textile combination	
Seat:	1 yard
Top:	1 yard
Side:	1.25 yards

**PLINTH FINISH: POWDER COAT AND CHROME**

DESCRIPTION	CODE
Sterling	ST
Warm Grey	WG
Cool Grey	CG
Black	B
White	W
Matte Gold Rush	MGR
Matte Mercury	MMR
Matte Mineral	MMN
Matte Burnish	MBN
Matte Foundry	MFN
Matte New Penny	MNP
Brushed Chrome	BC

**AUXILIARY OPTION**

Floor mount must be specified at the time of the bench order.

DESCRIPTION	CODE
Floor mount	PTFM

**GLIDES**

Pluto glides are poly.

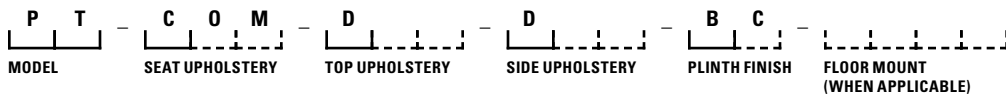
**SHIPMENT DETAIL**

200 pounds of weight ballast is shipped separately from the Pluto bench and is required to be installed at the final delivery location.

**SPECIFICATIONS REQUIRED TO CREATE THE PRODUCT CODE**

---

- Model
- Seat Upholstery
- Top Upholstery
- Side Upholstery
- Plinth Finish
- Floor Mount (when applicable)



**MODEL**

---

Pluto (PT)

**SEAT UPHOLSTERY**

COM (COM)

**TOP UPHOLSTERY**

Grade D (D)

**SIDE UPHOLSTERY**

Grade D (D)

**PLINTH FINISH**

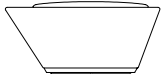
Brushed Chrome (BC)



**FLOOR MOUNT**

---

When applicable, enter Pluto  
Floor Mount Code



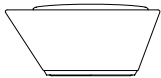
**PLUTO BENCH**

MODEL	LIST PRICE/GRADE	COM	A	B	C	D	E	F	G	H	I	J	K	L
PT-__		\$1250	1417	1501	1585	1669	1753	1837	1921	2005	2089	2173	2257	2341

powder coat plinth  
W 34 D 37.75 H 16

**COM REQUIREMENTS VARY BY COMBINATION SELECTED.**

TEXTILE REQUIREMENTS	YARDAGE
One textile, entire bench:	3.25 yards
Two/Three textile combination	
Seat:	1 yard
Top:	1 yard
Side:	1.25 yards



**PLUTO BENCH**

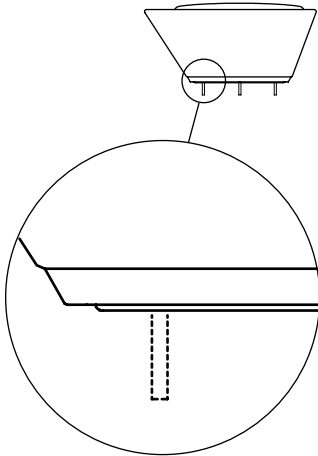
MODEL	LIST PRICE/GRADE	COM	A	B	C	D	E	F	G	H	I	J	K	L
PT-BC		\$1378	1545	1629	1713	1797	1881	1965	2049	2133	2217	2301	2385	2469

brushed chrome plinth  
W 34 D 37.75 H 16

**COM REQUIREMENTS VARY BY COMBINATION SELECTED.**

TEXTILE REQUIREMENTS	YARDAGE
One textile, entire bench:	3.25 yards
Two/Three textile combination	
Seat:	1 yard
Top:	1 yard
Side:	1.25 yards

**TO SPECIFY:** Please refer to pages 3–4 for complete specifying information.  
Specify all products by their product code.



<b>PLUTO FLOOR MOUNT</b>	<b>MODEL</b>	<b>LIST PRICE</b>
	PTFM	\$127

Due to the variety of floor surfaces on which the Pluto Bench may be installed, floor mount fasteners are not supplied by Leland International. The Pluto Bench floor mount feature consists of three .5" thru holes designed to use .3125" or .375" threaded studs. Leland International recommends at least 2" of exposed thread length from the floor surface.

Responsibility of fastener choice is the customers.

Floor Mount must be specified at the time of purchasing.

The Floor Mount cannot be added later in the field.

**TO SPECIFY:** Please refer to pages 3–4 for complete specifying information. Specify all products by their product code.