

# MOD

---



**Sled Base Chair**



**Pedestal Swivel Base  
Chair**

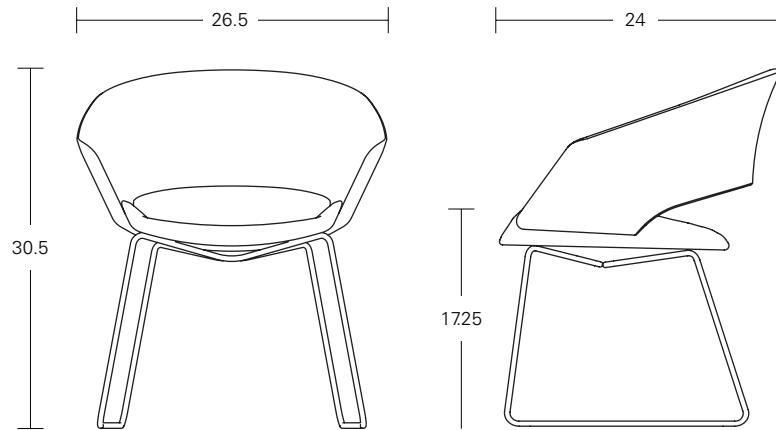
# MOD

Sled Base Chair

Model MDSUUU | design: Simon Pengelly

## Specifications

W 26½ D 24 H 30½ SH 17¼



### Upholstery Options (Fabric Approval Required) [view here](#)

Brentano  
Camira  
Carnegie  
C.F. Stinson  
Green Hides  
Maharam  
Unika Vaev  
COM/COL

### Frame Options [view here](#)

13 Powder Coat Frame Finishes  
Chrome

### Glide Options (Standard is none)

Polycarbonate  
Felt

### Additional Options

Specify different textiles for seat, inner back, outer back

### Features

Load tested to 500+ lbs

[View Collection Page](#)

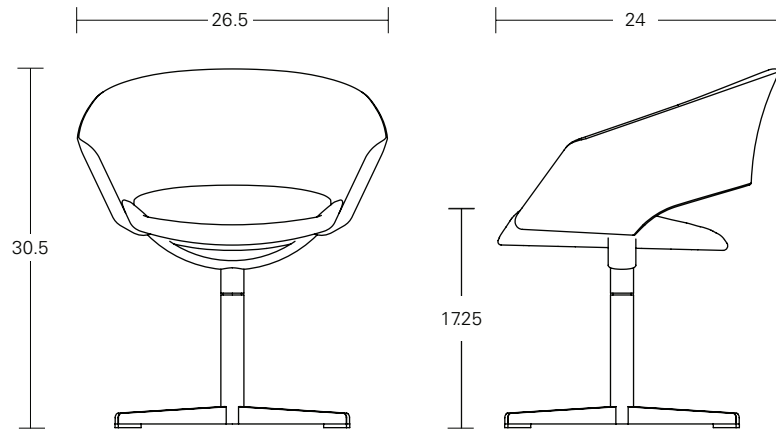
# MOD

Pedestal Swivel Base Chair

Model MDPSUUU | design: Simon Pengelly

## Specifications

W 26½ D 24 H 30½ SH 17¼



### Upholstery Options (Fabric Approval Required) [view here](#)

Brentano  
Camira  
Carnegie  
C.F. Stinson  
Green Hides  
Maharam  
Unika Vaev  
COM/COL

### Frame Options [view here](#)

13 Powder Coat Frame Finishes  
Polished Aluminum

### Glide Options

Standard (Nylon)

### Additional Options

Specify different textiles for seat, inner back, outer back

### Features

Load tested to 500+ lbs

[View Collection Page](#)

# MOD

Powder Coat Frame Finishes

All Models | design: Simon Pengelly



Sterling (ST)



Warm Grey (WG)



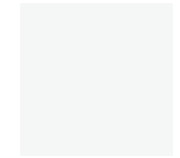
Cool Grey (CG)



Black (B)



Matte Black (MB)



White (W)



Gold Rush (GR)



Mercury (MR)



Mineral (MN)



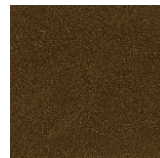
Burnish (BN)



Foundry (FN)



New Penny (NP)



Java (JV)



Chrome (C)



Polished Aluminum (P)

## Spec Guides

[View Sled Base Chair](#)

[View Pedestal Swivel Base Chair](#)

Due to limitations of the color printing process these finish samples should be considered representative only. For larger finish samples, please contact Leland Customer Experience at (800) 859-7510.